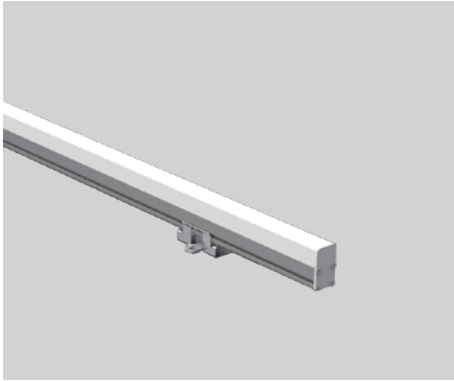


PRODUCT DATASHEET

Last information update: May 2023



UNI-LINE FLAT 1000MM

2607W15

Architectural linear LED wallwasher for outdoor applications

Technical Features

Power	15W
Input voltage	DC24V (constant voltage)
Insulation class	III
Delivered flux	600 lm ±10%
Light distribution type	direct-view
Beam angle	120°
Light colour / CCT	RGB
CRI	-
Source type	LED (3-IN-1)
LED number	60
MacAdam step	-
Power supply	Not included
Control	DMX512
Pixel	10 / meter
Protection index	IP65
Impact resistance	IK05
Lifetime	50,000 hours Ta=25°C

Construction

Anodized extruded aluminum body, polycarbonate diffuser.

Temperature Limits

Ambient operating temperature	from -20°C to +50°C
Storage temperature	from -40°C to +70°C

Installation

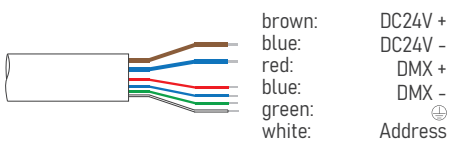
Surface mounted with bracket (non-adjustable).

Finish Colours

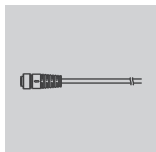
Aluminum as standard colour, RAL colours on request.

Wiring

Power/DMX input cable MALE connector 500mm
Power/DMX output cable FEMALE connector 500mm

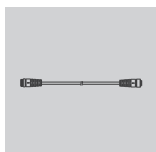


Optional Accessories



with female 6-pin waterproof connector for DMX
* specify cable length to complete order

leader cable



with male and female 6-pin waterproof connector for DMX
* specify cable length to complete order

extension cable

Ordering Information

example: **2607W15.0120.4130K.01+LC6**

2607W15 · [] · [] · [] + []

product	beam angle	light colour / CCT	finish colour	accessory
UNI-LINE FLAT 1000MM 15W	0120 120°	31RGB RGB	01 aluminum	LC6 leader cable EC6 extension cable