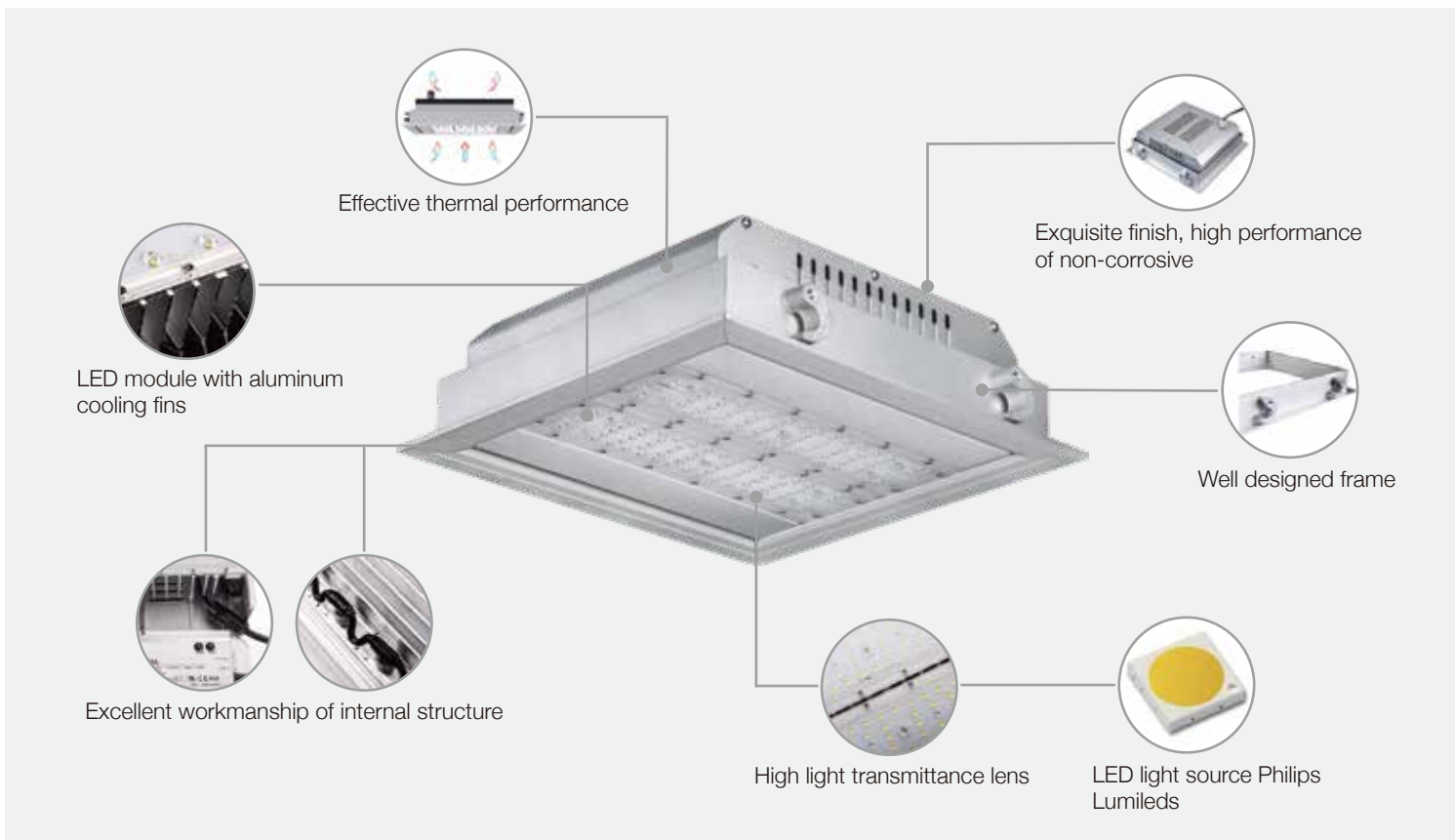




## CANEO series

Solid built LED canopy light with effective thermal management, it can provide outstanding lighting solution for petrol station forecourts, garages, airports, train stations and heavy-duty industrial area applications.



### Features:

- Robust and well designed body
- Explosion-proof, IP66 protection
- Solid build quality
- Installation-friendly chassis with impact and ingress resistance
- 50,000 hours lifespan, maintenance free
- LED brand Lumileds
- Powered by Meanwell
- No ultraviolet ( UV ) or infrared ( IR ) rays

### Materials:

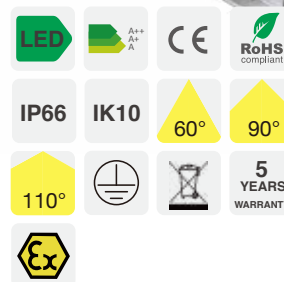
- Body: aluminum
- Lens: polycarbonate
- Module: aluminum

### Option:

- 1-10V

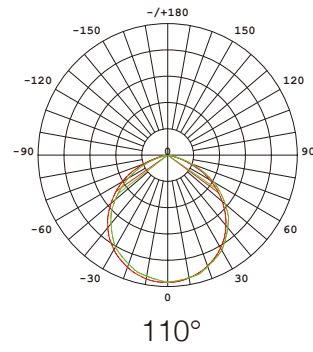
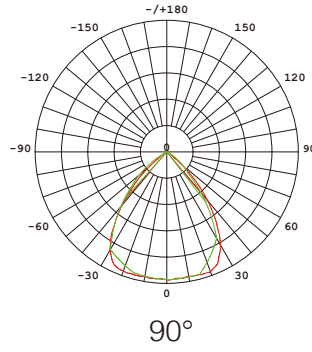
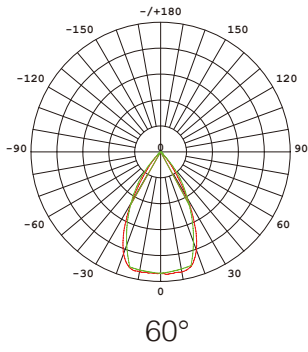
### Color:

- Silver-grey

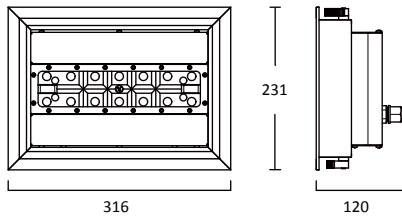


Item Code	Description							
	Power w	Voltage vac	Frequency Hz	Lumen Flux lm	Color Temp k	CRI ra	Operating °C	Warranty yrs
DL290150	50	90-305	50/60	6500±5%	ww nw cw	80	-20 ~ +50	5
DL2901100	100	90-305	50/60	13000±5%	ww nw cw	80	-20 ~ +50	5
DL2901150	150	90-305	50/60	19500±5%	ww nw cw	80	-20 ~ +50	5
DL2901200	200	90-305	50/60	26000±5%	ww nw cw	80	-20 ~ +50	5

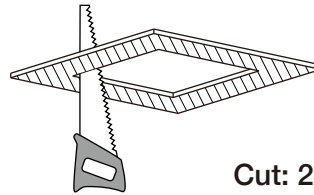
## Light distributions:



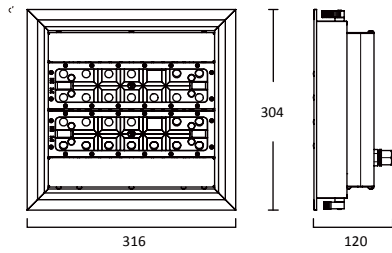
## Dimensions ( unit mm ):



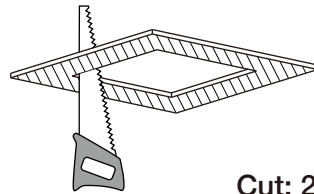
DL290150



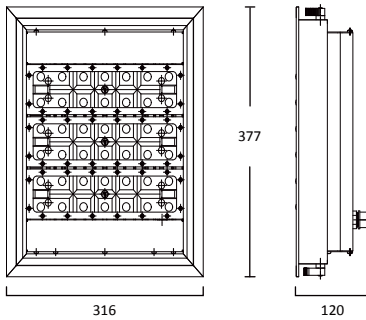
Cut: 202x285



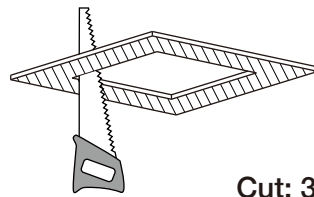
DL2901100



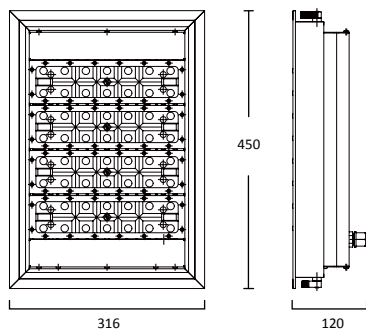
Cut: 275x285



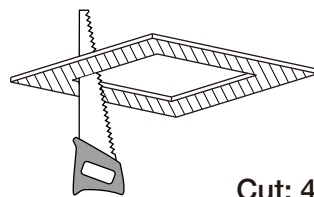
DL2901150



Cut: 348x285



DL2901200



Cut: 421x285

